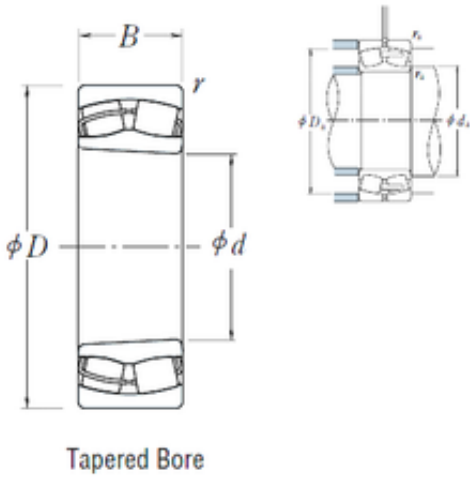




DRIVESHAFT AND BEARINGS MANUFACTURE C...



170 mm x 260 mm x 90 mm NSK 24034CK30E4 spherical roller bearings

Bearing No. 24034CK30E4

24034CK30E4 Bearing 2D drawings and 3D CAD models

Size	170x260x90 mm
Bore Diameter	170 mm
Outer Diameter	260 mm
Width	90 mm
d	170 mm
D	260 mm
B	90 mm
C	90 mm
r min.	2,1 mm
da min.	182 mm
da max	188 mm
Da min	228 mm
Da max.	248 mm
ra max.	2 mm
Weight	17,3 Kg
Basic dynamic load rating (C)	825 kN
Basic static load rating (C0)	1520 kN
(Grease) Lubrication Speed	1000 r/min
(Oil) Lubrication Speed	1300 r/min
Calculation factor (e)	0,31
Calculation factor (Y0)	2,1
Calculation factor (Y2)	3,2
Category	Bearings
Inventory	0.0
Manufacturer Name	NSK



DRIVESHAFT AND BEARINGS MANUFACTURE C...

Minimum Buy Quantity	N/A
Weight / Kilogram	16.54
EAN	0029176523960
Product Group	B04311
Y3	2.2
hidYobi	24034CK30E4
LangID	1
Y1	2.1
D_	260
Y2	3.2
Macha rpm	0
B_	90
da min	182
hidTable	ecat_NSSPHR
Oil rpm	1300
Y0	2.1
mass	17.3
GRS rpm	1000
ra	2
TSR rpm	1600
C0	1520
DE_	237.908
X0	1
Prod_Type3	SRB_CTB_TB
X1	1
X2	0.67
SIR	36
e	0.31
DA_	22.5
bomp	24034CK30E4
Z_	25
ALP2	45



DRIVESHAFT AND BEARINGS MANUFACTURE C...

ALP1	11
ALP3	0
D_a max	248
D_a min	228
yobi	24034CK30E4
ALPHA_	0.205
SDM_	215.88
r	2.1
KBRG	2322
SBRG	40
DI_	193.851