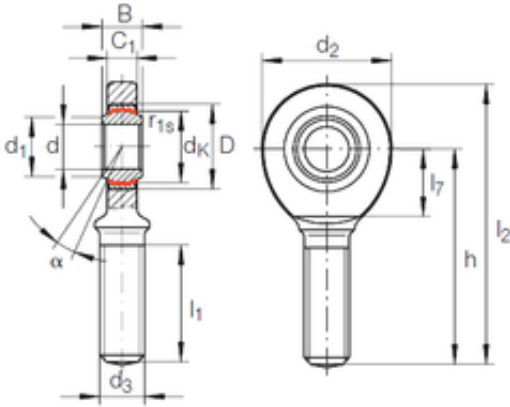




# DRIVESHAFT AND BEARINGS MANUFACTURE C...

17 mm x 30 mm x 14 mm INA GAR 17 UK  
plain bearings



Bearing No. GAR 17 UK

Size	17x30x14 mm
Bore Diameter	17 mm
Outer Diameter	30 mm
Width	14 mm
d	17 mm
D	30 mm
B	14 mm
d1	20,7 mm
d2	46 mm
dk	25 mm
h	69 mm
l1 min.	36 mm
l2 max.	92 mm
l7 min.	23 mm
r1 min.	0,3 mm
C1	11 mm
Thread (G)	M16
Angle	10 °
Weight	0,19 Kg
Basic dynamic load rating (C)	22,4 kN

GAR 17 UK Bearing 2D drawings and 3D CAD models