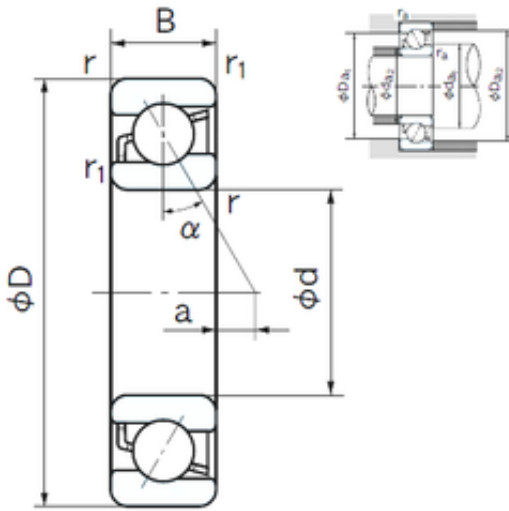




# DRIVESHAFT AND BEARINGS MANUFACTURE C...



17 mm x 40 mm x 12 mm NACHI 7203B  
angular contact ball bearings

Bearing No. 7203B

7203B Bearing 2D drawings and 3D CAD models

Size	17x40x12 mm
Bore Diameter	17 mm
Outer Diameter	40 mm
Width	12 mm
d	17 mm
D	40 mm
B	12 mm
C	12 mm
Angle ( ° )	40 °
a	6.0 mm
r min.	0.6 mm
r1 min.	0.3 mm
da min.	22 mm
Da max.	35 mm
ra max.	0.6 mm
Weight	0.070 Kg
Basic dynamic load rating (C)	11,3 kN
Basic static load rating (C0)	6,3 kN
(Grease) Lubrication Speed	14000 r/min
Category	Ball Bearings
Inventory	0.0
Manufacturer Name	NACHI
Minimum Buy Quantity	N/A
UNSPSC	31171531
Weight / Kilogram	0.068



## DRIVESHAFT AND BEARINGS MANUFACTURE C...

EAN	4991893836325
Product Group	B00308
Configuration	Single Row
Enclosure	Open
Bore Type	Cylindrical Bore
Bore Size	17 mm
Outside Diameter	40 mm
Width	12 mm
Fillet Radius/Chamfer	0.6 mm
r1	0.3 mm
Dynamic Load Rating	11,300 N
Static Load Rating	6,300 N
Limiting Speed - Grease	14,000 rpm
Limiting Speed - Oil	19,000 rpm
da1 (min)	22 mm
da2 (min)	19 mm
Da1 (max)	35 mm
Da2 (max)	37.4 mm
ra (max)	0.6 mm
ra1 (max)	0.3 mm