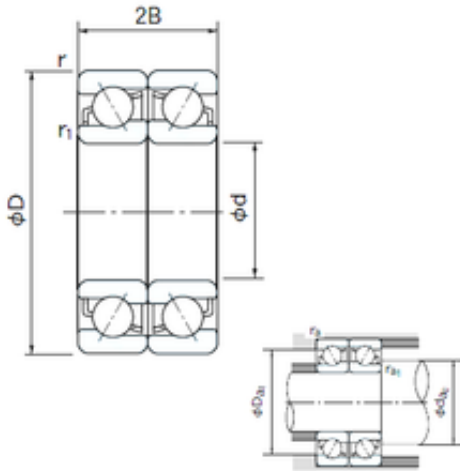




DRIVESHAFT AND BEARINGS MANUFACTURE C...



7203CDF Bearing 2D drawings and 3D CAD models

17 mm x 40 mm x 12 mm NACHI 7203CDF
angular contact ball bearings

Bearing No. 7203CDF

Size	17x40x12 mm
Bore Diameter	17 mm
Outer Diameter	40 mm
Width	12 mm
d	17 mm
D	40 mm
B	12 mm
C	12 mm
Angle (°)	15 °
a -	2.7 mm
r min.	0.6 mm
r1 min.	0.3 mm
2B	24 mm
da min.	22 mm
Da max.	37.4 mm
ra max.	0.3 mm
Weight	0.070 Kg
Basic dynamic load rating (C)	17,8 kN
Basic static load rating (C0)	11,8 kN
(Grease) Lubrication Speed	22000 r/min
Bore Type	Cylindrical Bore
Enclosure	Open
Configuration	Duplex
Bore Size	17 mm
Outside Diameter	40 mm



DRIVESHAFT AND BEARINGS MANUFACTURE C...

Width	12 mm
Fillet Radius/Chamfer	0.6 mm
r1	0.3 mm
Dynamic Load Rating	17,800 N
Static Load Rating	11,800 N
Limiting Speed - Grease	22,000 rpm
Limiting Speed - Oil	31,000 rpm
da1 (min)	22 mm
da2 (min)	22 mm
Da1 (max)	35 mm
Da2 (max)	37.4 mm
ra (max)	0.6 mm
ra1 (max)	0.3 mm