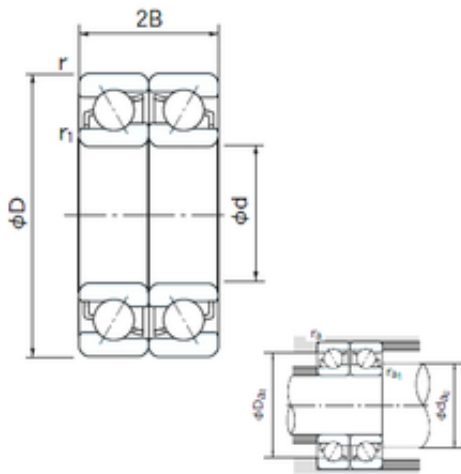




DRIVESHAFT AND BEARINGS MANUFACTURE C...



17 mm x 40 mm x 12 mm NACHI 7203BDF
angular contact ball bearings

Bearing No. 7203BDF

7203BDF Bearing 2D drawings and 3D CAD models

Size	17x40x12 mm
Bore Diameter	17 mm
Outer Diameter	40 mm
Width	12 mm
d	17 mm
D	40 mm
B	12 mm
C	12 mm
Angle (°)	40 °
a	6.0 mm
r min.	0.6 mm
r1 min.	0.3 mm
2B	24 mm
da min.	19 mm
Da max.	37.4 mm
ra max.	0.3 mm
Weight	0.070 Kg
Basic dynamic load rating (C)	18,4 kN
Basic static load rating (C0)	12,6 kN
(Grease) Lubrication Speed	11000 r/min
Bore Type	Cylindrical Bore
Enclosure	Open
Configuration	Duplex
Bore Size	17 mm
Outside Diameter	40 mm



DRIVESHAFT AND BEARINGS MANUFATURE C...

Width	12 mm
Fillet Radius/Chamfer	0.6 mm
r1	0.3 mm
Dynamic Load Rating	18,400 N
Static Load Rating	12,600 N
Limiting Speed - Grease	11,000 rpm
Limiting Speed - Oil	15,000 rpm
da1 (min)	22 mm
da2 (min)	19 mm
Da1 (max)	35 mm
Da2 (max)	37.4 mm
ra (max)	0.6 mm
ra1 (max)	0.3 mm