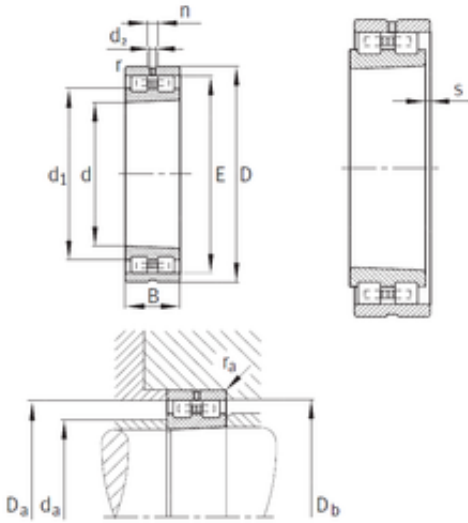




# DRIVESHAFT AND BEARINGS MANUFACTURE C...



180 mm x 280 mm x 74 mm INA NN3036-AS-K-M-SP cylindrical roller bearings

Bearing No. NN3036-AS-K-M-SP

Size	180x280x74 mm
Bore Diameter	180 mm
Outer Diameter	280 mm
Width	74 mm
d	180 mm
D	280 mm
E	255 mm
B	74 mm
C	74 mm
n	12,2 mm
d1	218,2 mm
d2	6,3 mm
r min.	2,1 mm
da min.	190 mm
Da max.	270 mm
Db min.	258 mm
ra max.	2,1 mm
S	4,8 mm
Weight	16,4 Kg
Basic dynamic load rating (C)	570 kN
Basic static load rating (C0)	1000 kN
(Grease) Lubrication Speed	2 800 r/min
(Oil) Lubrication Speed	3 400 r/min

NN3036-AS-K-M-SP Bearing 2D drawings and 3D CAD models