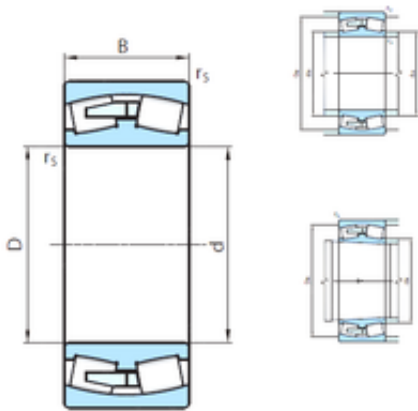




DRIVESHAFT AND BEARINGS MANUFACTURE C...



190 mm x 400 mm x 132 mm PSL 22338MB
spherical roller bearings

Bearing No. 22338MB

22338MB Bearing 2D drawings and 3D CAD models

Size	190x400x132 mm
Bore Diameter	190 mm
Outer Diameter	400 mm
Width	132 mm
d	190 mm
D	400 mm
B	132 mm
C	132 mm
r min.	5 mm
da min.	212 mm
Da min	338 mm
Da max.	378 mm
ra max.	4 mm
Weight	84,1 Kg
Basic dynamic load rating (C)	1750 kN
Basic static load rating (C0)	2545 kN
(Grease) Lubrication Speed	840 r/min
(Oil) Lubrication Speed	1000 r/min
Calculation factor (e)	0,31
Calculation factor (Y0)	2,1
Calculation factor (Y1)	2,2