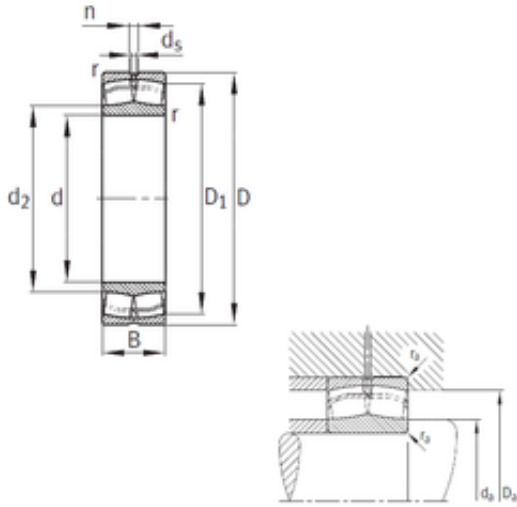




# DRIVESHAFT AND BEARINGS MANUFACTURE C...



190 mm x 400 mm x 132 mm FAG 22338-MB spherical roller bearings

Bearing No. 22338-MB

22338-MB Bearing 2D drawings and 3D CAD models

Size	190x400x132 mm
Bore Diameter	190 mm
Outer Diameter	400 mm
Width	132 mm
d	190 mm
D	400 mm
B	132 mm
C	132 mm
n	23,5 mm
d2	– mm
r min.	5 mm
D1	338,2 mm
da min.	210 mm
Da max.	380 mm
ra max.	4 mm
d5	12,5 r/min
Weight	80,5 Kg
Basic dynamic load rating (C)	1860 kN
Basic static load rating (C0)	2500 kN
Fatigue load limit (Pu)	213
Reference speed	1 220 r/min
Limiting speed	1 500 r/min
Calculation factor (e)	0,37
Calculation factor (Y0)	1,79
Calculation factor (Y1)	1,83

