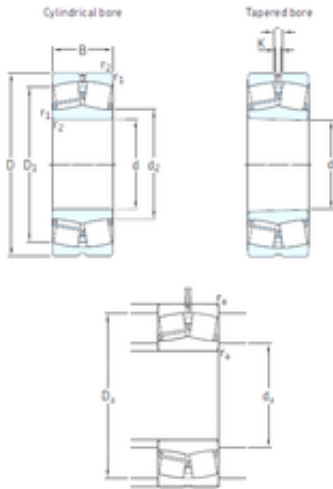




# DRIVESHAFT AND BEARINGS MANUFACTURE C...



200 mm x 420 mm x 138 mm SKF 22340  
CCKJA/W33VA405 spherical roller bearings

Bearing No. 22340 CCKJA/W33VA405

22340 CCKJA/W33VA405 Bearing 2D drawings and 3D  
CAD models

Size	200x420x138 mm
Bore Diameter	200 mm
Outer Diameter	420 mm
Width	138 mm
d	200 mm
D	420 mm
B	138 mm
C	138 mm
b	22,3 mm
d2	249 mm
r1 min.	5 mm
r2 min.	5 mm
D1	351 mm
K	12 mm
da min.	220 mm
Da max.	400 mm
ra max.	4 mm
Weight	95 Kg
Basic dynamic load rating (C)	2 320 kN
Basic static load rating (C0)	2 900 kN
Fatigue load limit (Pu)	224
Reference speed	1 200 r/min
Limiting speed	1 500 r/min
Calculation factor (e)	0,33
Calculation factor (Y0)	2



## DRIVESHAFT AND BEARINGS MANUFACTURE C...

Calculation factor (Y1)	2
Category	Roller Bearings
Inventory	0.0
Manufacturer Name	SKF
Minimum Buy Quantity	N/A
Weight / Kilogram	93.2
Product Group	B04311
$d_2$	249 mm
$D_1$	351 mm
$r_{1,2}$ min.	5 mm
$D_a$ max.	400 mm
$r_a$ max.	4 mm
Basic dynamic load rating C	2439 kN
Basic static load rating $C_0$	2900 kN
Fatigue load limit $P_u$	224 kN
Calculation factor e	0.33
Calculation factor $Y_1$	2
Calculation factor $Y_2$	3
Calculation factor $Y_0$	2
Permissible rotational acceleration (oil lubrication)	540 m/s <sup>2</sup>
Permissible linear acceleration (oil lubrication)	167 m/s <sup>2</sup>
Mass bearing	93 kg