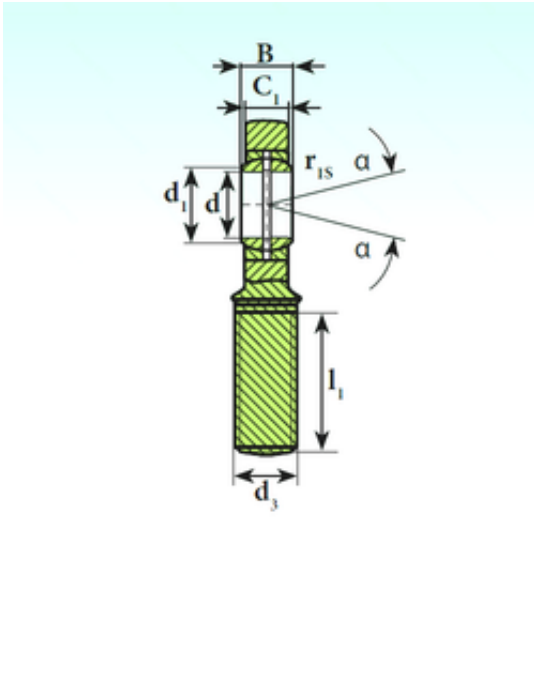




DRIVESHAFT AND BEARINGS MANUFACTURE C...



SA 30 ES 2RS Bearing 2D drawings and 3D CAD models

30 mm x 47 mm x 22 mm ISB SA 30 ES 2RS
plain bearings

Bearing No. SA 30 ES 2RS

Size	30x47x22 mm
Bore Diameter	30 mm
Outer Diameter	47 mm
Width	22 mm
d	30 mm
D	47 mm
B	22 mm
d1	34,2 mm
d2	73 mm
dk	40,7 mm
h1	110 mm
l1 min.	65 mm
l2 max.	146,5 mm
l7 min.	37 mm
r min.	0,6 mm
C1	19 mm
W	M30x2
Angle	6 °
Weight	0,89 Kg
Basic dynamic load rating (C)	62 kN