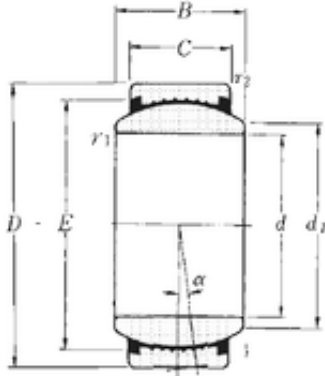




# DRIVESHAFT AND BEARINGS MANUFACTURE C...

30 mm x 47 mm x 22 mm NTN SAR1-30SS  
plain bearings



Bearing No. SAR1-30SS

Size	30x47x22 mm
Bore Diameter	30 mm
Outer Diameter	47 mm
Width	22 mm
d	30 mm
D	47 mm
B	22 mm
C	18 mm
d1	34,2 mm
r1 min.	0,6 mm
r2 min.	0,6 mm
E	42 mm
Angle	6 °
Weight	0,138 Kg
Category	Plain Bearings
Inventory	0.0
Manufacturer Name	NTN
Minimum Buy Quantity	N/A
Weight / Kilogram	0.136
EAN	4547359179743
Product Group	B04264

SAR1-30SS Bearing 2D drawings and 3D CAD models