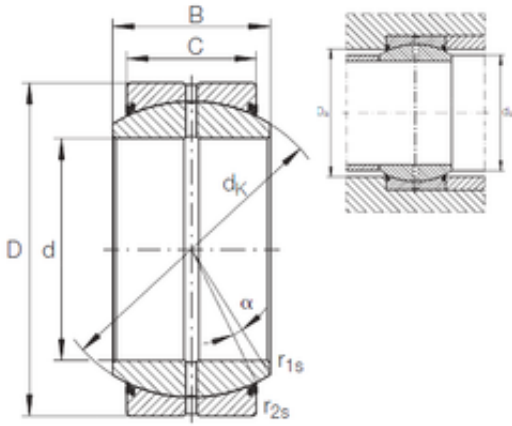




**30 mm x 47 mm x 22 mm INA GE 30 DO-2RS  
plain bearings**

Bearing No. GE 30 DO-2RS



GE 30 DO-2RS Bearing 2D drawings and 3D CAD models

Size	30x47x22 mm
Bore Diameter	30 mm
Outer Diameter	47 mm
Width	22 mm
d	30 mm
D	47 mm
B	22 mm
C	18 mm
dk	40,7 mm
r1 min.	0,6 mm
r2 min.	0,6 mm
da max	34,2 mm
Da min	38 mm
Angle	6 °
Weight	0,15 Kg
Basic dynamic load rating (C)	62 kN