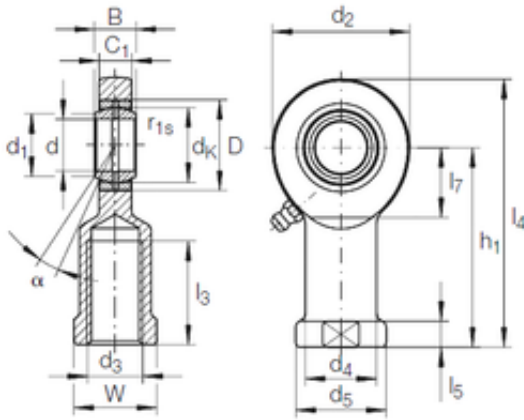




**30 mm x 47 mm x 22 mm INA GIR 30 DO plain bearings**



GIR 30 DO Bearing 2D drawings and 3D CAD models

Bearing No. GIR 30 DO

Size	30x47x22 mm
Bore Diameter	30 mm
Outer Diameter	47 mm
Width	22 mm
d	30 mm
D	47 mm
B	22 mm
d1	34,2 mm
d2	73 mm
d4	40 mm
dk	40,7 mm
h1	110 mm
l3 min.	56 mm
l4 max.	146,5 mm
l5	15 mm
l7 min.	37 mm
r1 min.	0,6 mm
C1	19 mm
W	41 mm
Thread (G)	M30X2
Angle	6 °
d5	50 r/min
Weight	0,96 Kg
Basic dynamic load rating (C)	62 kN